

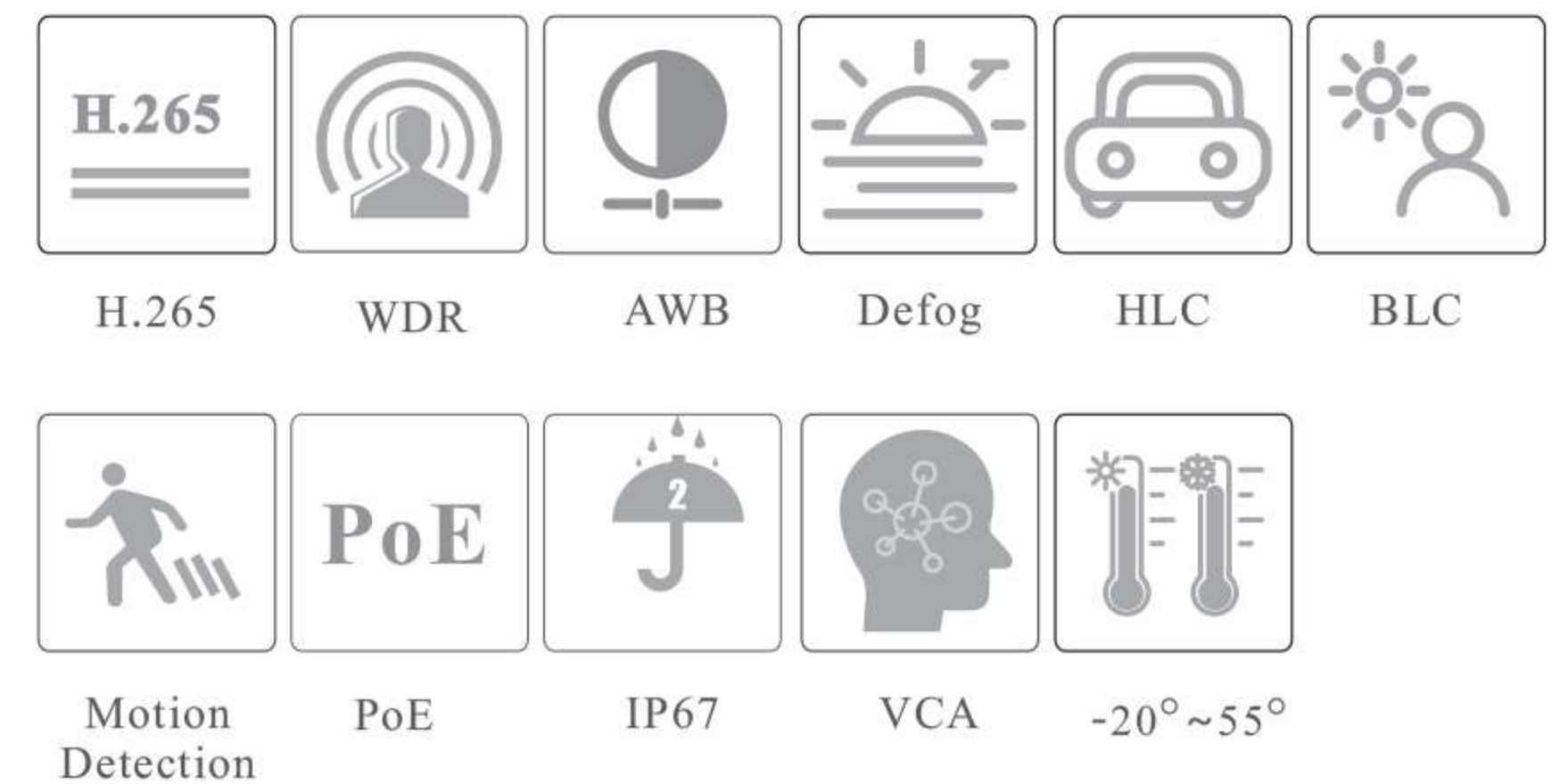
CAMERA

# TD-9524S3BL

2MP IR Water-proof Turret Network Camera



- 2MP (1920 × 1080) H.265 coding
- Max.resolution: 1920 × 1080
- ICR auto switch, true day / night, ROI coding
- 3D DNR, digital WDR, HLC, BLC, defog
- 10~20m IR night view distance
- PoE power supply (optional)
- 1CH built-in MIC
- IP 67 ingress protection
- Support dual streams
- Support mobile surveillance by smart phones with iOS and Android OS
- Intelligent analytics: video blur detection, scene change detection, line crossing detection and region intrusion detection



**Vicom Security Private Limited**

email- [info@vicomsecurity.com](mailto:info@vicomsecurity.com) / [support@vicomsecurity.com](mailto:support@vicomsecurity.com)

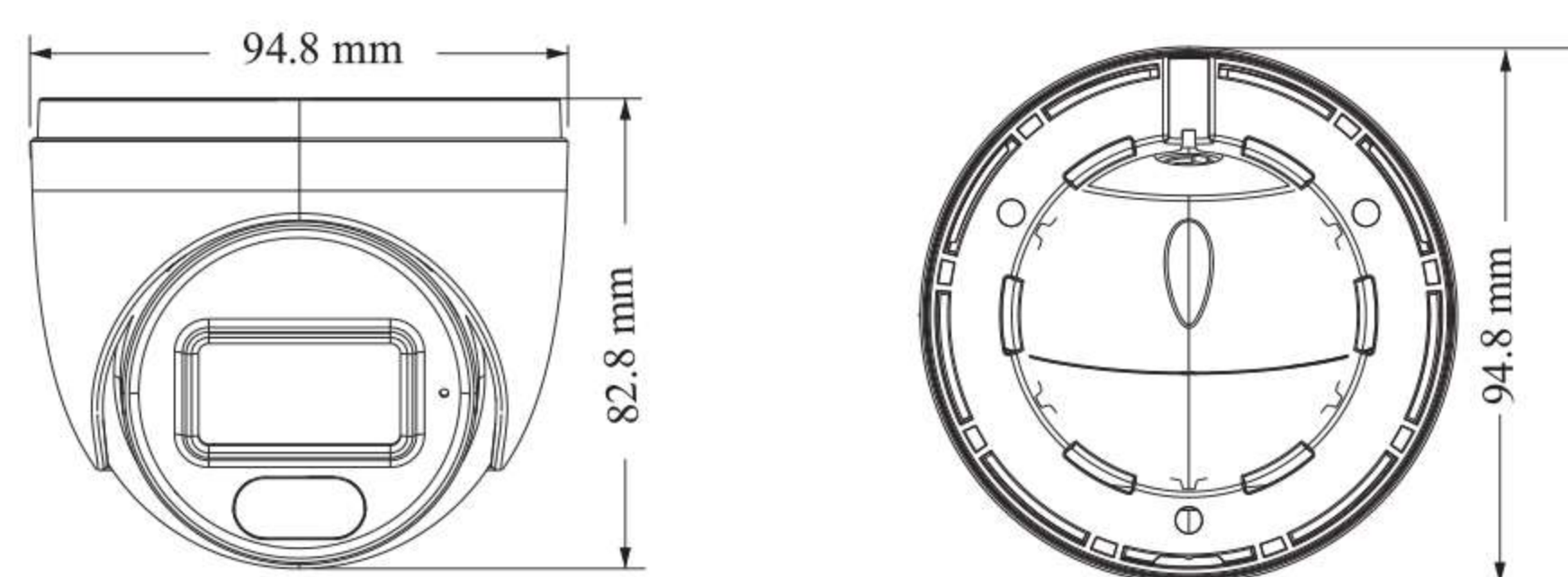
web:-[www.vicomsecurity.com](http://www.vicomsecurity.com)

## SPECIFICATIONS

Specifications	Model	TD-9524S3BL
<b>Camera</b>		
Image Sensor		1 / 2.8 "CMOS
Image Size		1920×1080
Electronic Shutter		1s ~ 1 / 100000 s
Iris Type		Fixed Iris
Min. Illumination		0.0126 lux @F1.2, AGC ON; 0 lux with IR 0.0462 lux @ F2.2, AGC ON; 0 lux with IR
Lens		2.8 mm @F2.2, H.FoV: 102°; V.FoV:54.7°; D.FoV:124.4° 3.6 mm @F2.2, H.FoV: 86.1°; V.FoV:46°; D.FoV:104°
Focus		Fixed
Lens Mount		M12
Wide Dynamic Range		Digital WDR
BLC		Yes
HLC		Yes
Defog		Yes
Digital NR		3D DNR
Angle Adjustment		Pan: 0°~360°; Tilt:0°~75°; Rotation: 0°~360°
<b>Image</b>		
Video Compression		H.265 / H.264
H.265 Compression Standard		Main Profile@Leve4.1 High Tier
Resolution		1080P ( 1920 × 1080 ), 720P ( 1280 × 720 ), D1, CIF
Main Stream		60Hz : 1080P/720P(1~30fps); 50Hz : 1080P/720P(1~25fps)
Sub Stream		60Hz : D1/CIF(1~30fps); 50HZ: D1/CIF (1~25fps)
Bit Rate		64 Kbps ~ 4 Mbps
Bit Rate Type		VBR / CBR
Image Settings		ROI, Saturation, Brightness, Hue, Contrast, Wide Dynamic, Sharpness, NR, etc. adjustable through client software or web browser
ROI		Each ROI to be configured separately
Audio Compression		G711A/U
<b>Interfaces</b>		
Network		RJ 45
Video Output		No
Audio		1CH built-in MIC
Storage		No
Hardware Reset		No
<b>Functions</b>		
Remote Monitoring		Web browsing, CMS remote control
Online Connection		Support simultaneous monitoring for up to 3 users; Support multi-stream real time transmission
Network Protocol		UDP, IPv4, IPv6, DHCP, NTP, RTSP, PPPoE, DDNS, SMTP, FTP, 802.1x, UPnP, HTTP, HTTPS, QoS
Interface Protocol		ONVIF
Storage		Network remote storage
Smart Alarm		Motion detection
Intelligent Analytics		Region intrusion detection, video blur detection, scene change detection and line crossing detection
General Function		Watermark, IP address filtering, video mask, heartbeat, illegal login lock
PoE		Optional (IEEE802.3af)
IR Distance		10 ~ 20m
Ingress Protection		IP 67

Others	
Power Supply	DC12V (PoE power supply optional)
Power Consumption	< 4 W
Operating Environment	- 20 °C ~ 55 °C (-4°F ~ 131°F) Humidity: less than 95 % (non-condensing)
Dimensions ( mm )	Φ 94.8 × 82.8
Weight ( net )	Approx. 0.287KG
Installation	Ceiling mounting ( Wall mounting available with the junction box and bracket )
Certificate	CE, FCC
Environmental Protection	Complies with Directive EU RoHS, WEEE(2012/19/EU), directive 94/62/EC and REACH(EC1907/2006)

## DIMENSIONS



## AVAILABLE ACCESSORIES



## AVAILABLE MODEL

Available Model	TD-9524S3BL(D/PE/AR1)
	TD-9524S3BL(D/AR1)