

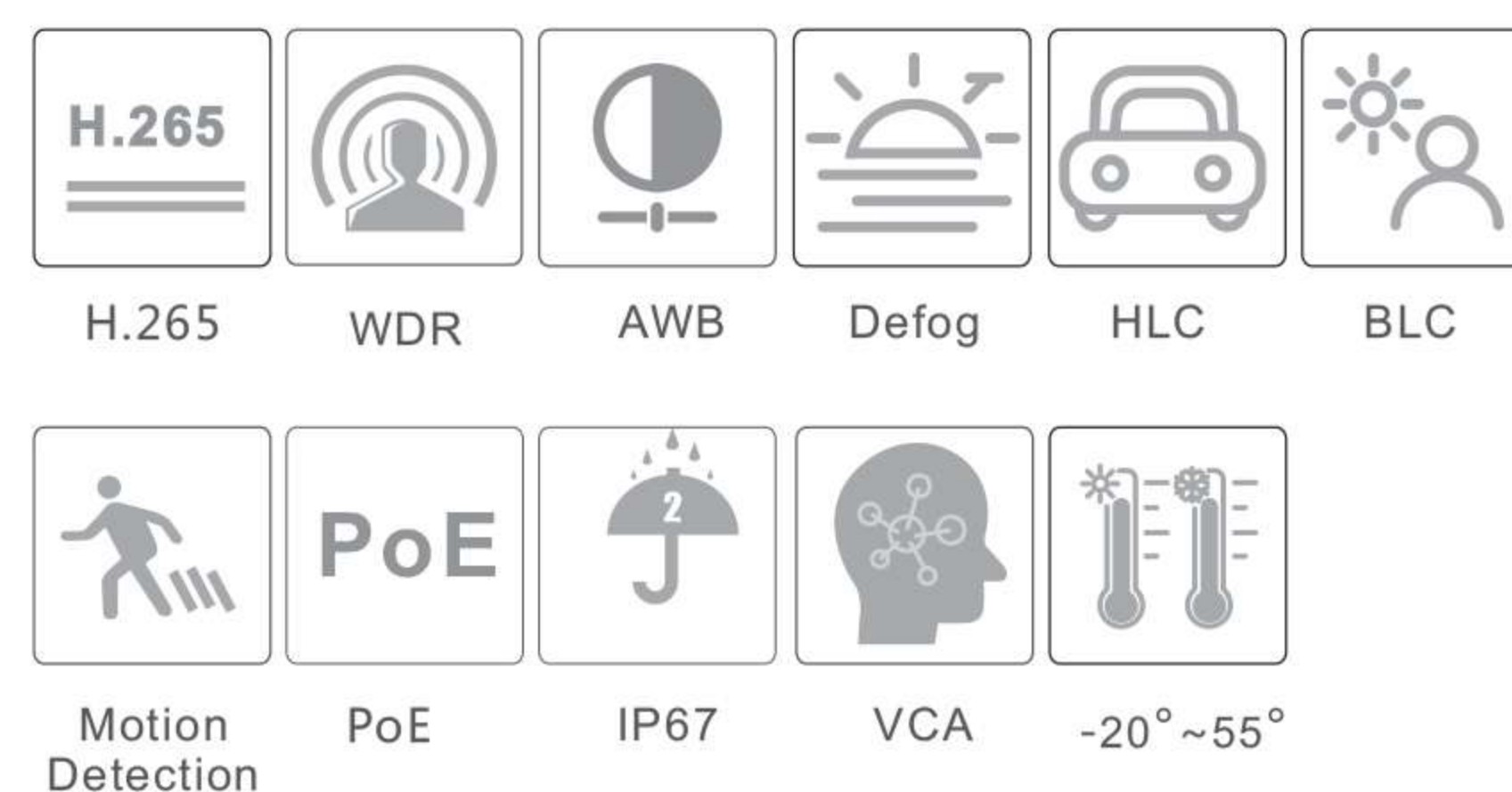
CAMERA

TD-9544S3L

4MP IR Water-proof Eyeball Network Camera



- 4MP (2560 × 1440) H.265 coding
- Max.resolution: 2560 × 1440
- ICR auto switch, true day / night, ROI coding
- 3D DNR, digital WDR, HLC, BLC, defog
- 10~20m IR night view distance
- PoE power supply (optional)
- 1CH built-in MIC
- P2P function optional
- IP 67 ingress protection
- Support three streams
- Support mobile surveillance by smart phones with iOS and Android OS
- Intelligent analytics: object removal detection, abnormal video signal detection, line crossing detection and region intrusion detection



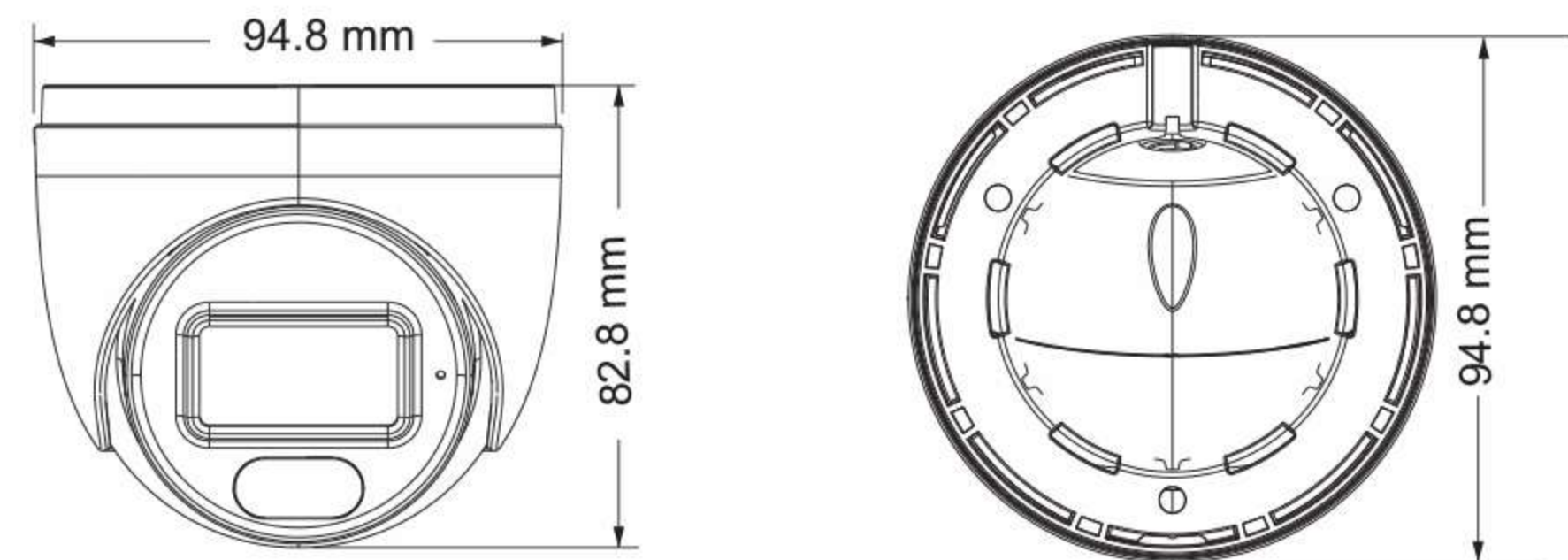
SPECIFICATIONS

Model	TD-9544S3L
Specifications	
Camera	
Image Sensor	1 / 2.7 "CMOS
Image Size	2560×1440
Electronic Shutter	1 / 25 s ~ 1 / 100000 s
Iris Type	Fixed Iris
Min. Illumination	0.011 lux @F1.2, AGC ON; 0 lux with IR 0.04 lux @ F2.2, AGC ON; 0 lux with IR
Lens	2.8 mm @F2.0, (fixed lens), horizontal field of view: 110° 3.6 mm @F2.2, (fixed lens), horizontal field of view: 89° 6 mm @F2.0, (fixed lens), horizontal field of view: 54.9°
Lens Mount	M12
Wide Dynamic Range	Digital WDR
BLC	Yes
HLC	Yes
Defog	Yes
Digital NR	3D DNR
Angle Adjustment	Pan: 0°~360°; Tilt:0°~75°; Rotation: 0°~360°
Image	
Video Compression	H.265 / H.264
H.265 Compression Standard	Main Profile@Level4.1 High Tier
Resolution	4MP (2560 × 1440), 3MP (2304 × 1296), 1080P (1920 × 1080), 720P (1280 × 720), D1, CIF, 480 × 240
Main Stream	60Hz : 4MP(1~20fps)/3MP(1~30fps)/1080P(1~30fps); 50Hz : 4MP(1~20fps)/3MP(1~25fps)/1080P(1~25fps)
Sub Stream	60Hz : 720P(1~15fps)/D1(1~30fps)/CIF (1~30fps); 50Hz: 720P(1~12fps)/D1(1~25fps)/CIF (1~25fps);
Third Stream	60Hz : D1/CIF/480x240 (1~30fps); 50Hz: D1/CIF/480x240 (1~25fps)
Audio Compression	G711A/U
Bit Rate	64 Kbps ~ 5 Mbps
Bit Rate Type	VBR / CBR
Image Settings	ROI, Saturation, Brightness, Chroma, Contrast, Wide Dynamic, Sharpen, NR, etc. adjustable through client software or web browser
ROI	Each ROI to be configured separately
Interfaces	
Network	RJ45
Video Output	No
Audio	1CH built-in MIC
Storage	No
Hardware Reset	No
Functions	
Remote Monitoring	Web browsing, CMS remote control
Online Connection	Support simultaneous monitoring for up to 4 users; Support multi-stream real time transmission
Network Protocol	UDP, IPv4, IPv6, DHCP, NTP, RTSP, PPPoE, DDNS, SMTP, FTP, 802.1x, UPnP, HTTP, HTTPS, QoS
Interface Protocol	ONVIF
Storage	Network remote storage
Smart Alarm	Motion detection
Intelligent Analytics	Region intrusion detection, object removal detection, abnormal video detection and line crossing detection
General function	Watermark, IP address filtering, video mask, heartbeat, password protection
PoE	Optional
IR Distance	10 ~ 20 m
Ingress Protection	IP67

Others

Power Supply	DC12V(PoE power supply optional)
Power Consumption	< 4W
Operating Environment	- 20 °C ~ 55 °C (-4°F~131°F) Humidity: less than 95 % (non-condensing)
Dimensions (mm)	Φ 94.8 × 82.8
Weight (net)	Approx. 0.284KG
Installation	Ceiling mounting (Wall mounting available with the junction box and bracket)

DIMENSIONS



AVAILABLE ACCESSORIES



AVAILABLE MODEL

Available Model	TD-9544S3L(D/PE/AR1)
	TD-9544S3L(D/AR1)